

Diesel Generator Sets Power by UK Perkins



ASSEMBLY

- ※ The engine and alternator are close coupled by means of an SAE flange. A full torsional analysis has been carried out to guarantee no harmful vibration will occur. Engine with radiator and alternator are on common spraying powder mounting.
- ※ Anti-vibration pads are affixed between engine alternator feet and the base frame. Thus ensuring complete vibration isolation of the rotating assemblies and enabling the machine to be placed on an uneven surface without any detrimental effects.
- ※ For durability and corrosion resistance, all iron and steel surfaces of canopy fabrications have been treated for coating by grit blast cleaning. Then covered by special three layers painting which provides an excellent corrosion resistant surface.

WARRANTY

- ※ YICHEONG Company provides one-source responsibility for the generator set and accessories. Each YICHEONG generating set has been got through 2 hours Load test for running 0%, 25%, 50%, 75%, 100% and 110% load, all protective devices and control function are simulated and checked before despatch.
- ※ Engine and Alternator are guaranteed for a period of 12 months from the date of commissioning or 18 months from shipping, whichever occurs first.
- ※ Convenience for operation and maintenance, backed by Perkins global service network.

INTERNATIONAL STANDARD

3P4W, 50Hz @ 1500RPM, 400/230V

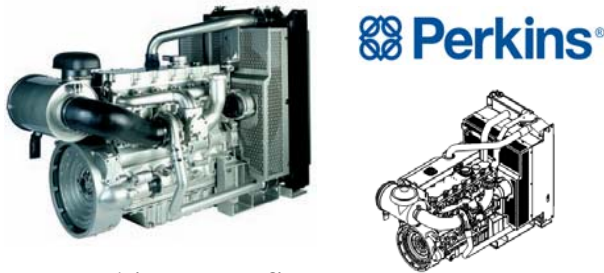
(380/220V and 415/240V are for optional)

60hz, 1800rpm, 208V, 480V will be different technical data.

SCOPE SUPPLY

- UK Perkins Diesel Engine with radiator.
- Reliable alternator: Leroy Somer, Marathon, ENGGA.
- Heavy duty steel skid with vibration-damping.
- Base service fuel tank inside skid(up to 800KW)
- Lead acid batteris with cable for starter.
- Industrial silencer & flexible exhaust below.
- Mounted control panel: Digital auto controller.

ENGINE SPECIFICATION



UK Perkins Benefits

Power to Meet your needs: Hitting the key power nodes, provide a clean & cost effective power solution.

State of Art Design: Common-rail fuel system, high power density, low exhaust emissions with the minimum of heat rejection and excellent fuel economy.

World-class Product Support: Network of 4000 distributors and service outlets, easy specify & order part online guides and service tools.

Long-term Power Solution: Designed to fully comply with EU Stage II emissions regulations, providing an emissions compliant power solution for the future.

Benefits:

- ※ Function stability credibility, service convenient.
- ※ Low operating cost results in optimal economy.
- ※ Gets the job done wherever you are.
- ※ Easy for installation, operation and maintenace.

CONTROL SYSTEM AND PROTECTION

※ Controllers are available for all applications.It contains Deep Sea,ComAp or other famous brands. According to their different functions,the control systems can be specified into key start contrller model,automatic start control model and PCRC three remote control systems. See controller features inside.

CRITERION

- ※ ISO8528, GB/T2820, ISO3046, BS4999, BS5514, BS5000
- ※ EN12601:2001, EN60034-22:1997, EN60204-1:2006
- ※ ISO9001:2000, ISO14001:2004, SGS, TLC

ALTERNATOR (Reliable)

Voltage regulation

Voltage regulation maintained with in $\pm 0.5\%$ as follow:

- Power factor between 0.8-1.0 lagging.
- From no load to full load,any steady load.
- Speed droop variation under 5%.

Frequency/Speed undulation

- 0-100% load, Frequency/Speed Droop Ratio $< 5\%$.
- 25-100% load, any steady load undulation $< 0.25\%$.

Effect factor of telecom

- TIF(MAMG1-22) < 50 ; THF(BS EN60034) $< 2\%$

The 2/3 pitch design avoids excessive neutral currents. With the 2/3 pitch and carefully selected pole and tooth designs, ensures very low waveform distortion.

Brushless alternator with pilot exciter for excellent load response. Class H insulation, easy parallelling with mains or other generators, standard 2/3 pitch stator windings avoid excessive neutral currents.

Backed by worldwide service network.

CONTROL SYSTEM

1.Standard: DSE702K Key Start---UK Deepsea

Providing the standard functions as follows:

(Also can be made according to the customers' special requirements)

- ※ Start/Stop controller, Emergency stop pushbutton
- ※ Ampere meter, Voltmeter and selector switch, Frequency meter/Water temperature gauge/Oil pressure gauge/Hour counter/Batery voltage meter.
- ※ Alarm System: Over speed, High Temperature, Low Pressure, Charge Failure.
- ※ Protection System: Over speed, High Engine Temperature, Low Oil Pressure, Emergency Stop. And the other protection function presetting.



DSE702K

**2.Option: Deepsea DES-7320 Digital Auto Start (AMF)
(Option assembled with the ATS)**

Communication (USB, RS232, RS485)

SMS Messaging; Remote Communications; Remote Control; Building Management; PC Software

Functions:

- ※ Automatic Start/Stop, Engine monitoring and protection
- ※ 3 start attempts failure and Automatic Crank Disconnect
- ※ Parameters display(V/A/Hz/Hour), Running hour counting
- ※ Charge alternator exciting and Charge alternator fail alarm
- ※ Settings can be adjustable via key buttons on front panel

Shutdown:

- ※ Loss of Speed Signal
- ※ Alternator Under/Over Voltage
- ※ Alternator Under/Over Frequency
- ※ Mains Under/Over Voltage
- ※ Mains Under/Over Frequency
- ※ Under/Over Speed
- ※ Low Oil Pressure
- ※ High Engine Temperature

Warning:

- ※ Alternator Under/Over Voltage
- ※ Alternator Under/Over Frequency
- ※ Mains Under/Over Voltage
- ※ Mains Under/Over Frequency
- ※ Under/Over Speed
- ※ Low Oil Pressure Pre-Alarm
- ※ High Engine Temp. Pre-Alarm
- ※ High/Low Battery Voltage
- ※ Over-current
- ※ Periodic maintenance



DSE7320

Digital Auto-start Generator controller integrating digital, intelligent and network techniques is used for automatic control system of diesel generator. It can carry out functions including automatic start/stop, data measure and alarming. It includes the additional capability of being able to monitor a mains (utility) supplt. Optionally assembled with the ATS, it can carry out auto-switching between mains power and generating set power.(AMF)

Optional Parts:

| Engine | Alternator | Fuel System | Canony |
|---|--|--|--|
| <ul style="list-style-type: none"> ● Heater 2KW&4KW (Coolant & Lube Oil) | <ul style="list-style-type: none"> ● AVR PMG with regulator ● Anti-damp and anti-corrosion treatment ● Anti-condensation heater | <ul style="list-style-type: none"> ● Low fuel level alarm ● Automatic fuel feeding system | <ul style="list-style-type: none"> ● Super silent (65-68Db@7m) ● Normal silent (75-78Db@7m) ● Soundproof type (20ft/40ft container) |
| Lub.oil System | Exhaust Gas System | Cooling System | Control Panel |
| <ul style="list-style-type: none"> ● Oil with the machine | <ul style="list-style-type: none"> ● Protection board from hotness ● Low frequency silencer | <ul style="list-style-type: none"> ● Front heat protection ● 50°C radiator ● Coolant(-30°C) | <ul style="list-style-type: none"> ● Auto-paralleling control panel ● Auto Transfer/changeover Switch(ATS) |



Circuit Breaker



Paralleling/synchronizing System



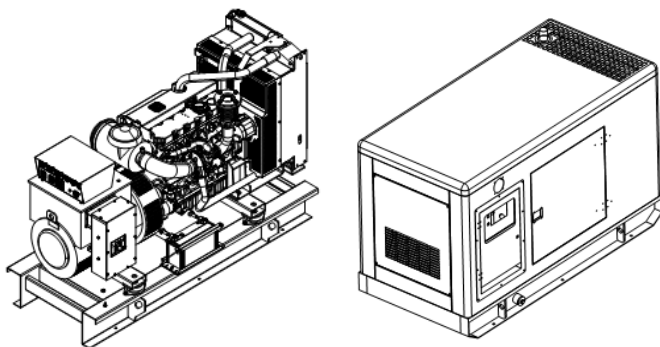
ATS



Super silent canopy

1500RPM, 50HZ, 380-415V 3 phase 4 wire

| Genset Model | Prime power | | Standby power | | Engine Model | Alternator model | | Dimension (L*W*H mm) | Weight (kgs) |
|--------------|-------------|------|---------------|------|----------------|------------------|------------|----------------------|--------------|
| | KW | KVA | KW | KVA | | Leroy Somer | Marathon | | |
| YP7G | 7.2 | 9 | 8 | 10 | 403D-11G | LSA40VS1 | GM-8.6-4 | 1565*730*1200 | 360 |
| YP10G | 10 | 13 | 11 | 14 | 403D-15G | LSA40VS2 | GM-12-4 | 1565*730*1200 | 430 |
| YP16G | 16 | 20 | 17.6 | 22 | 404D-22G | LSA40M5 | GM-16-4 | 1590*730*1245 | 500 |
| YP24G | 24 | 30 | 26.4 | 33 | 1103A-33G | LSA42.2L9 | GM-24-4 | 1740*730*1565 | 760 |
| YP36G | 36 | 45 | 40 | 50 | 1103A-33TG1 | LSA43.2S25 | MP-40-4 | 2030*730*1565 | 870 |
| YP48G | 48 | 60 | 52.8 | 66 | 1103A-33TG2 | LSA43.2M45 | MP-48-4 | 2030*730*1565 | 890 |
| YP52G | 52 | 65 | 57.2 | 72 | 1104A-44TG1 | LSA43.2L65 | MP-58-4 | 2135*730*1595 | 980 |
| YP64G | 64 | 80 | 70.4 | 88 | 1104A-44TG2 | LSA43.2L8 | MP-64-4 | 2135*730*1595 | 1020 |
| YP80G | 80 | 100 | 88 | 110 | 1104C-44TAG2 | LSA44.2VS45 | MP-80-4 | 2235*730*1595 | 1090 |
| YP100G | 100 | 125 | 110 | 138 | 1006TAG | LSA44.2S75 | MP-104-4 | 2565*730*1575 | 1380 |
| YP120G | 120 | 150 | 132 | 165 | 1106C-E66TAG3 | LSA44.2M95 | MP-120-4 | 2645*730*1630 | 1540 |
| YP144G | 144 | 180 | 160 | 200 | 1106C-E66TAG4 | LSA46.2M3 | MP-140-4 | 2645*730*1630 | 1650 |
| YP160G | 160 | 200 | 176 | 220 | 1306C-E87TAG3 | LSA46.2M5 | MP-160-4 | 3035*900*1525 | 1700 |
| YP180G | 180 | 225 | 200 | 250 | 1306C-E87TAG4 | LSA46.2L6 | MP-180-4 | 3035*900*1525 | 1700 |
| YP200G | 200 | 250 | 220 | 275 | 1306C-E87TAG6 | LSA46.2L6 | MP-200-4 | 3035*900*1525 | 2050 |
| YP240G | 240 | 300 | 264 | 330 | 2206C-E13TAG2 | LSA46.2VL12 | MP-240-4 | 3500*1105*1960 | 3400 |
| YP260G | 260 | 325 | 286 | 358 | | LSA47.2VS1 | MP-260-4 | 3500*1105*1960 | 3450 |
| YP280G | 280 | 350 | 308 | 385 | | LSA47.2VS1 | MP-280-4 | 3500*1105*1960 | 3460 |
| YP320G | 320 | 400 | 360 | 450 | 2206C-E13TAG3 | LSA47.2S4 | MP-320-4 | 3500*1105*1960 | 3500 |
| YP364G | 364 | 455 | 400 | 500 | 2506C-E15TAG1 | LSA47.2S5 | MP-400-4AS | 3935*1150*2080 | 3600 |
| YP400G | 400 | 500 | 440 | 550 | 2506C-E15TAG2 | LSA47.2M7 | MX-400-4AS | 3935*1150*2080 | 3700 |
| YP480G | 480 | 600 | 528 | 660 | 2806C-E18TAG1A | LSA47.2L9 | MX-480-4 | 3690*1535*2100 | 4100 |
| YP520G | 520 | 650 | 560 | 700 | 2806C-E18TAG2 | LSA49.1S4 | MX-560-4 | 3690*1535*2100 | 4500 |
| YP580G | 580 | 725 | 640 | 800 | 4006-23TAG2A | LSA49.1M6 | MX-600-4 | 4450*1650*2290 | 5400 |
| YP640G | 640 | 800 | 720 | 900 | 4006-23TAG3A | LSA49.1M75 | MX-700-4 | 4450*1710*2290 | 5500 |
| YP750G | 750 | 938 | 825 | 1030 | 4008TAG2A | LSA50.2S3 | MX-750-4 | 4860*2050*2550 | 7500 |
| YP800G | 800 | 1000 | 880 | 1100 | | LSA50.2S3 | MX-850-4 | 4700*2045*2475 | 7650 |
| YP1000G | 1000 | 1250 | 1100 | 1375 | 4012-46TWG2A | LSA50.2M6 | MX-1030-4 | 5220*2130*2600 | 9250 |
| YP1080G | 1080 | 1350 | 1188 | 1485 | 4012-46TWG3A | LSA50.2L7 | MX-1240-4 | 5220*2130*2600 | 9500 |
| YP1200G | 1200 | 1500 | 1320 | 1650 | 4012-46TAG2A | LSA50.2L8 | MX-1240-4 | 5220*2130*2600 | 9750 |
| YP1320G | 1320 | 1650 | 1456 | 1820 | 4012-46TAG3A | LSA50.2VL10 | MX-1350-4 | 5370*2130*2600 | 10000 |
| YP1440G | 1440 | 1800 | 1584 | 1980 | 4016TAG1A | LSA51.2S55 | MX-1540-4 | 5670*2800*3520 | 13200 |
| YP1600G | 1600 | 2000 | 1760 | 2200 | 4016TAG2A | LSA51.2M60 | MX-1800-4 | 5670*2800*3520 | 13500 |
| YP1800G | 1800 | 2250 | 2000 | 2500 | 4016-61TRG3 | LSA51.2VL85 | MX-1800-4 | 6150*2800*3520 | 13700 |



Shenzhen Yicheong Jichai Power Co., Limited

Add: RunXun Industrial Park, HuanGuan Middle Rd.,

GuanLan, Bao'An Dist, Shenzhen, China

Tel: 0086-755-27638427 Fax: 0086-755-27638460

Email: info@ycgenset.com





480V, 1800RPM, 60HZ, 3 phase 4 wire

| Genset Model | Prime power | | Standby power | | Engine Model | Alternator model | | Dimension (L*W*H mm) | Weight (kgs) |
|--------------|-------------|------|---------------|------|---------------|------------------|-----------|----------------------|--------------|
| | KW | KVA | KW | KVA | | Leroy Somer | Marathon | | |
| YP10G6 | 10 | 12.5 | 11 | 14 | 403D-11G | LSA40VS1 | GM-8.1-4 | 1565*730*1200 | 350 |
| YP12G6 | 12 | 15 | 13.2 | 17 | 403D-15G | LSA40VS2 | GM-13-4 | 1565*730*1200 | 430 |
| YP20G6 | 20 | 25 | 22 | 27.5 | 404D-22G | LSA40M5 | GM-18-4 | 1700*730*1245 | 500 |
| YP25G6 | 25 | 31 | 28 | 35 | 404D-22TG | LSA42.2M7 | GM-24-4 | 1700*730*1245 | 540 |
| YP27G6 | 27 | 34 | 30 | 37 | 1103C-33G1 | LSA42.2M7 | GM-28-4 | 1700*730*1245 | 580 |
| YP40G6 | 40 | 50 | 44 | 55 | 1104C-44G2 | LSA43.2S15 | GM-40-4 | 2100*730*1595 | 740 |
| YP56G6 | 56 | 70 | 60 | 75 | 1104C-44TG1 | LSA43.2M45 | MP-60-4 | 2100*730*1595 | 740 |
| YP72G6 | 72 | 90 | 79 | 99 | 1104C-44TAG1 | LSA43.2L8 | MP-70-4 | 2100*730*1595 | 760 |
| YP90G6 | 90 | 113 | 100 | 125 | 1104C-44TAG2 | LSA44.2VS3 | MP-90-4 | 2100*730*1595 | 760 |
| YP96G6 | 96 | 120 | 106 | 132 | 1006TG2A | LSA44.2VS45 | MP-105-4 | 2645*730*1500 | 1600 |
| YP120G6 | 120 | 150 | 132 | 165 | 1006TAG | LSA44.2S7 | MP-135-4 | 2645*730*1500 | 1600 |
| YP135G6 | 135 | 169 | 149 | 186 | 1106D-E66TAG3 | LSA44.2S75 | MP-135-4 | 2430*1110*2060 | 1520 |
| YP156G6 | 156 | 195 | 172 | 215 | 1106D-E66TAG4 | LSA44.2L12 | MP-151-4 | 2430*1110*2060 | 1900 |
| YP180G6 | 180 | 225 | 200 | 250 | 1306C-E87TAG3 | LSA46.2M3 | MP-180-4 | 3035*1000*1710 | 1670 |
| YP200G6 | 200 | 250 | 220 | 275 | 1306C-E87TAG4 | LSA46.2M5 | MP-211-4 | 3035*1000*1710 | 1670 |
| YP300G6 | 300 | 375 | 330 | 413 | 2206D-E13TAG2 | LSA46.2VL12 | MP-300-4A | 3500*1105*1960 | 3370 |
| YP350G6 | 350 | 438 | 385 | 481 | 2206D-E13TAG3 | LSA47.2VS2 | MP-375-4A | 3500*1105*1960 | 3400 |
| YP400G6 | 400 | 500 | 440 | 550 | 2506D-E15TAG1 | LSA47.2S4 | MP-403-4A | 3935*1150*2080 | 3600 |
| YP456G6 | 456 | 570 | 500 | 625 | 2506D-E15TAG3 | LSA47.2S5 | MX-475-4 | 3935*1150*2080 | 3700 |
| YP552G6 | 552 | 690 | 608 | 760 | 2506C-E15TAG4 | LSA47.2M8 | MX-560-4 | 3690*1150*2080 | 3850 |
| YP1344G6 | 1344 | 1680 | 1478 | 1848 | 4012-46TAG3A | LSA50.2L7 | MX-1240-4 | 5780*2800*3520 | 13450 |